



Pressure Mount Y-Spindle

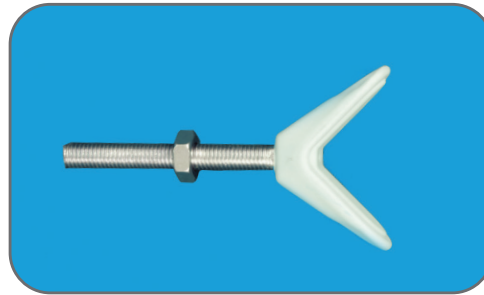
Easy 3-Step Installation Guide

Important:

Qdos wants to keep you and your children safe and for that we need you to do your part by carefully reading and following the instructions below.

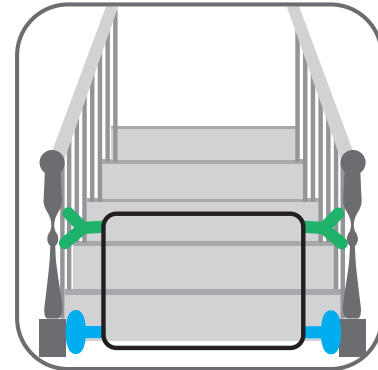
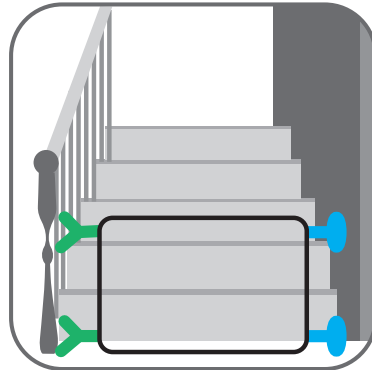
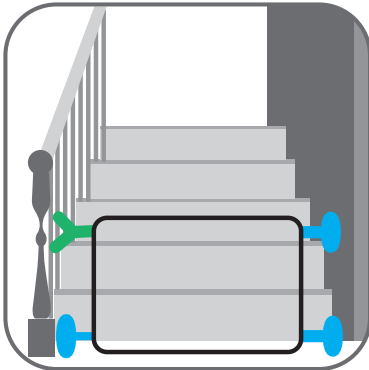
For installation videos and FAQ go to: www.qdossafety.com

Parts List:



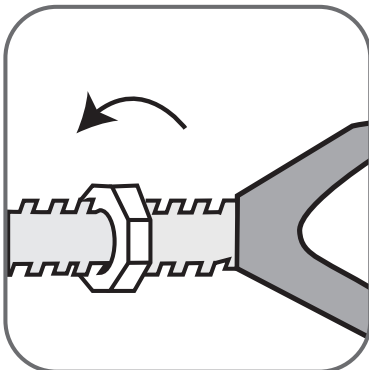
Follow your Qdos gate instructions and replace the standard spindles where needed with Y Spindles.

Step 1



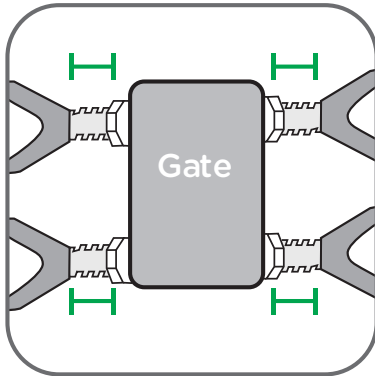
Determine location where you need Y-Spindles and insert the Y-Spindle(s) in those locations.

Step 2



Hand tighten the nuts on all spindles until they are extended equally and touch the banisters/spindles or wall.

Step 3



Using the wrench provided with the gate, and while following the instructions for proper installation of the gate, tighten the four spindles securely.